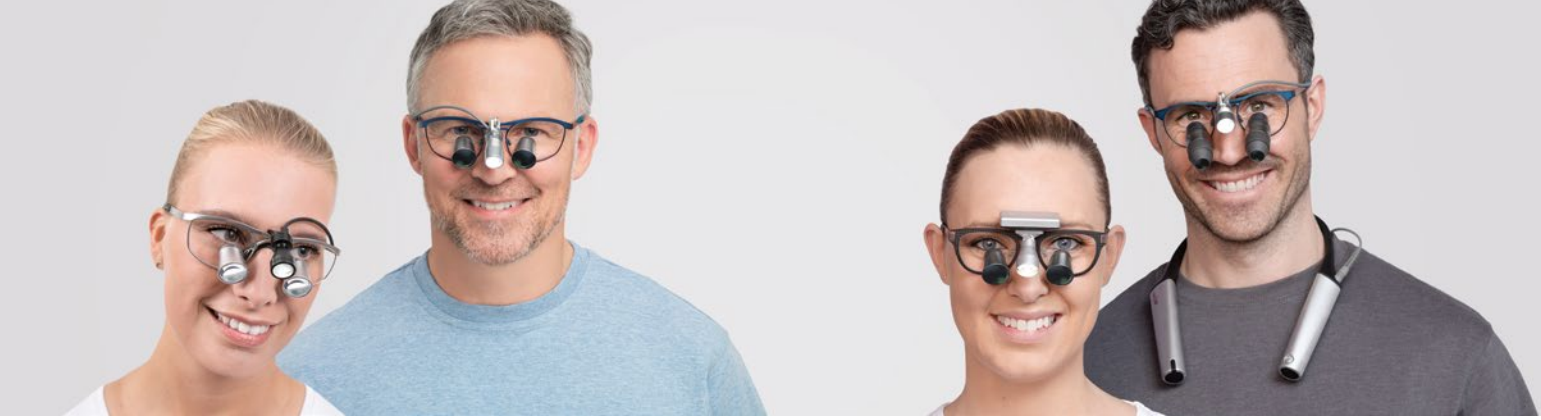


EXAMVISION™



Congratulations on  
your new LED system



## Content

---

Introduction .....	3
<b>Getting started - Using your light for the first time</b>	
Attaching the light to your loupe .....	4
Cable direction .....	5
Replaceable cable .....	5
Help and guidance .....	5
<b>Your control unit and light</b>	
PowerBand .....	6
Focus™ Xtend .....	10
Essential One .....	14
Essential Alpha .....	18
<b>Ensuring our light is centered correctly</b> .....	22
<b>Warranty</b> .....	23
<b>ExamVision light accessories</b> .....	24
<b>Symbols and information for proper use</b> .....	26

## Introduction

---

You have chosen a high-quality light system, tailored to deliver the exact amount of illumination, right where you need it.

ExamVisions Light systems have from 2 to 24 hours operating time, depending on chosen light system and light intensity. Our light systems are designed for either hands-free or touch-free operation for sterile environments.

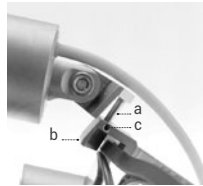
To achieve the optimum result from your new light system, please follow the guiding instructions and videos carefully – or ask your local ExamVision dealer for assistance.

## Getting started – Using your light for the first time

### Attaching the light to your loupe

*(This step is unnecessary if ExamVision have mounted the framepart for you).*

To attach your light to your loupe, turn your loupe upside down on a stable surface. Use the Connect key to tighten the locking screw of your Connect attachment. There are two mounting points on the bridge of the loupe frame. Position the light-framepart under the mounting points so the holes line up, and gently screw the light-framepart in place, just hand tight. Be careful not to let the screwdriver slip.



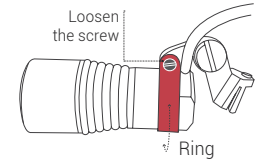
- a. Post
- b. Framepart
- c. Connect key screw

### Light cable direction

Except from Essential One LED, which is wireless, the light cable can be attached to the right or left loupe temple. For optimal balance, we recommend that the cable then runs around the back of your neck and attaches to the control unit on the opposite side.

#### Focus™ and Essential Nano lights:

To change the cable direction, loosen the small screw and gently turn the ring to desired position. Ensure that the ring touches the cable and tighten the screw.



**Essential Alpha light:** To change the cable direction, simply direct the cable to the right or left loupe temple.

### Replaceable cable

Focus™ and Essential Nano lights: If your cable becomes damaged you can replace it easily. Please contact your local ExamVision dealer who can arrange a replacement.



#### Help and guidance

Visit our Service Center on the ExamVision YouTube channel for helpful videos. See QR code.

For further Technical specifications see [examvision.com](http://examvision.com).



## PowerBand



Your PowerBand is a portable control unit equipped with a rechargeable lithium-ion battery.

PowerBand can be used with lamp units Focus™ and Essential Nano.

## Operating your PowerBand

### Right side Touch-Free Motion Sensor

Right side

### Left side Power Button

Left side

#### Turning on

Press the Power Button once



#### Switch between operating sides

To toggle the operating mode between Power Button and Touch-free sensor, press Power Button 3 times in quick succession. When the light flashes RED, the Power Button is active.

When the light flashes GREEN, the motion sensor is active



#### Changing light intensity

Moving your hand once past the sensor increases light intensity and each additional hand motion will cycle the unit through low, medium and high intensity settings



#### Changing light intensity

1 click increases the light intensity, and additional single clicks will cycle the unit through low, medium and high intensity settings



#### Turning off

Hold your hand over the sensor for 3 seconds



#### Turning off

Press and hold for 2 seconds



## Operating your PowerBand

### Memory

When you turn off the PowerBand, it will keep the same settings (light intensity and operating mode).

### Battery care

The battery in your unit is partially charged by the manufacturer. We recommend charging before first use. Best practice is to keep your battery charged at more than 30%. Partial charges do not harm your battery.

### Working time

Working time of your battery varies with light intensity. The lowest setting can give you up to 24 hours continuous use, and the highest setting approximately 12 hours.



24 hours



12 hours

### Battery lifetime

When your battery is reaching the end of its natural life, after about 500 charges, you will find it needs to be charged more frequently.

Your battery can be replaced in the control unit. Your ExamVision dealer will be able to arrange this procedure.

### Battery level and charging status

When the battery needs charging, the charge indicator will start to blink.

#### Battery level status



100% - 20% charged  
Light continuously green



20% - 10% charged  
Light continuously yellow



10% - 0% charged  
Light continuously red

#### Battery charging status



10% - 0% charged  
Light flashes red



10% - 20% charged  
Light flashes yellow



20% - 99% charged  
Light flashes green



100% charged  
Continuously green\*

\* While charger is connected.

**Please note:** The lamp unit cannot be turned on, while the PowerBand is charging.

Average charging time for an empty battery is 2.5 hours.

## Focus™ Xtend



Your Focus™ Xtend is a portable control unit equipped with a rechargeable lithium-ion battery.

Focus™ Xtend can be used with lamp units Focus™ and Essential Nano.

## Operating your Focus™ Xtend

### Turning on



A short press on the Power Button will activate the battery.  
(The control unit will not activate unless there is a lamp unit plugged in).

### Changing light intensity



The Focus™ Xtend control unit may be operated hands-free, by pressing the front panel with e.g. the elbow.



A single short press on the front panel switches between light intensities. Additional single presses will cycle the unit through low, medium and high intensity settings.



### Turning off



A long press on the Power Button switches the unit off.

## Operating your Focus™ Xtend

### Battery care

The battery is fully charged from the manufacturer. Best practice is to keep your battery charged at more than 30%. Partial charges do not harm your battery.

### Working time

Working time of your battery varies with light intensity. The lowest setting can give you up to 24 hours continuous use, highest setting approximately 6 hours.



24 hours



6 hours

### Battery lifetime

When your battery is reaching the end of its natural life, after about 500 charges, you will find it needs to be charged more frequently.

Your battery can be replaced in the control unit. Your ExamVision dealer will be able to arrange this procedure.

### Battery charging status

When the battery needs charging, the charge indicator will start to blink orange. Charge the unit at this point.



Bat. Needs charging

### Battery charging

Attach the charger lead to the charger socket. The charge indicator (Bat.) comes on.

When the battery is fully charged, the charge indicator will turn off.

Average charging time for an empty battery is 2.5 hours.

We recommend disconnecting the unit at this point, to maximize battery life.

● Bat. Charging

● Bat. Charged battery

## Essential One



Your Essential One is a portable light system equipped with 3 rechargeable lithium-ion batteries.

Essential One can only be used with Essential One LED lamp unit.

## Operating your Essential One

### Turning on/off



Place the battery pack on the connection pad of the light. The magnets will align the battery electrodes with the connection pad. You can turn the light on and off by a single touch on the top of the battery pack where the Essential logo is placed.

### Changing light intensity



Your light has two different intensities, controlled by a quick tap on the right side of the battery, illustrated by an intensity marking.

### Note

When attaching or removing the headlamp onto the frame part of Essential One, please avoid the use of excessive force. Also only mount or remove the headlamp vertically onto the frame part. **Do not twist it horizontally outwards.**





## Operating your Essential One

### Battery care

The battery is fully charged from the manufacturer. Best practice is to keep your battery charged at more than 30%. Partial charges do not harm your battery.

### Working time

Working time of your battery varies with light intensity. The lowest setting can give you up to 3.5 hours continuous use, highest setting approximately 2 hours.



3.5 hours



2 hours

### Battery lifetime

When your battery is reaching the end of its natural life, after about 500 charges, you will find it needs to be charged more frequently.

Your battery can be replaced in the control unit. Your ExamVision dealer will be able to arrange this procedure.

### Battery charging status

When the battery makes a “beep sound” it needs charging. Swap to another battery and place the used one on the charging pad.



Needs charging

### Battery charging

Connect the charging pad to charger using the provided cable and place the battery on the charging pad.

It is possible to charge two batteries simultaneously.

The charging indicator will be red, when not charged and turn green, when the battery is fully charged.

Average charging time for an empty battery is 1.5 hours. Battery packs may remain on the charging pad, when not in use. In this case, the charging pad must be connected to the powered-on charger.

 Needs charging

 Charged battery

## Essential Alpha



Your Essential Alpha is a portable control unit equipped with a rechargeable lithium-ion battery.

Essential Alpha can only be used with Essential Alpha LED unit.

## Operating your Essential Alpha

Turning on/off



Rotate the button to turn the light on and off.

Changing light intensity



Rotate the button to alter light intensity.

## Operating your Essential Alpha

### Battery care

The battery is fully charged from the manufacturer. Best practice is to keep your battery charged at more than 30%. Partial charges do not harm your battery.

### Working time

The lowest setting can give you up to 12 hours continuous use, highest setting approximately 4 hours.



12 hours



4 hours

### Battery lifetime

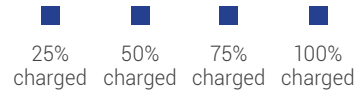
When your battery is reaching the end of its natural life, after about 500 charges, you will find it needs to be charged more frequently.

Your battery can be replaced in the control unit. Your ExamVision dealer will be able to arrange this procedure.

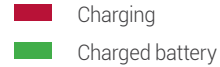
### Battery level and charging status

The blue power indicator will show how much charge remains in the battery.

#### Battery level status

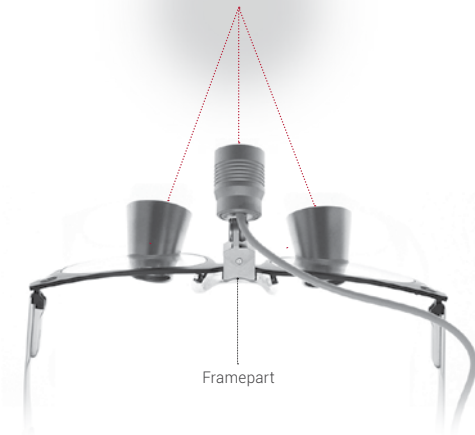


#### Battery charging status



## Ensuring your light is centered correctly

Follow these instructions to set up your light correctly. Ensure your light is centered correctly by focusing on an object and closing first one eye then the other. If you find that the light is more to one side of your vision, loosen the screws under the framepart slightly and adjust until the light is perfectly centered with your vision. Tighten the screws to keep the light in place.



## Warranty

**PowerBand control unit/Focus™ Xtend control unit/Focus™ True & Bright and Essential Nano light system and accessories**  
Covered by 3 years manufacturer warranty.

### **Detachable cable and backplate**

Covered by 1 year manufacturer warranty.

### **Essential Alpha control unit and Alpha battery**

Covered by 1 year manufacturer warranty.

### **Essential Alpha light, cable and accessories**

Covered by 1 year manufacturer warranty.

### **Essential One light**

Covered by 2 years manufacturer warranty.

### **Essential One battery, charger and accessories**

Covered by 1 year manufacturer warranty.

Normal wear and tear and damage due to inadequate use or maintenance are not covered by warranty. In the event of malfunction, please return the device to your ExamVision dealer for repair. Please also see [examvision.com/Warranty](http://examvision.com/Warranty).

## ExamVision light accessories



### Belt clip

*Suitable for Focus™ Xtend control units.*

Belt clip, with ratchet rotation feature. Attach the belt clip to the back of the control unit using the glue pad provided. Slide the belt clip over a belt or pocket. Place the control unit so the cable does not catch on clothing or tools.



### Curing filter

*Suitable for Focus™ Xtend and Essential One and Essential Alpha lights.*

To mount the curing filter on Focus™ Xtend and Essential One lights, loosen the screw in the mounting band, slip the band into position on the lamp, then tighten gently. Ensure hinge is upward, as shown. Curing filter can now be flipped up and down as required.

To mount the curing filter on Alpha light, attach the curing filter by stretching the black silicon band over the lamp, orienting the filter so it's easy to flip it up out of the way when not required.



### Cable clips

*Suitable for all light cables.*

To secure the light cable, attach cable clip to the loupe temple at narrowest point. Push the light cable gently into clip and smooth into place.

Note: Remove carefully, to avoid damaging cable.



### Collar clip

*Suitable for all light cables.*

Keeps the light cable out of the way, and can be clipped to collar or pocket, as desired.



### Headband

*Suitable for Focus™ Xtend, Essential Nano and Essential Alpha lights.*

Can be combined with all light sources using a Connect attachment.



### Universal clip-on with Connect

*Suitable for Focus™ Xtend, Essential Nano and Essential Alpha lights.*

Universal attachment system for lights with Connect attachment. Can be used with any glasses or loupes (excluding flip-ups).

## Symbols and information for proper use



### Manufacturer

ExamVision Aps. Industrivej 11, 8305 Samsø, Denmark.  
www.examvision.com



Consult instructions for use or consult electronic instructions for use.  
Read all enclosed guides and instructions carefully before use.

Find all user guides here:  
[examvision.com/about-us/support](http://examvision.com/about-us/support)



Keep dry



Interference may occur in the vicinity of equipment marked with this symbol



Fragile, handle with care



Do not dispose of electronic products in the general waste stream



Do not use if package is damaged



### Caution. Correct use and maintenance

Your ExamVision loupes are a precision instrument. Do not modify or alter the lamp housing itself may become warm. Avoid touching the lamp housing during extended use at high light intensity.  
Do not use the lamp unit if the device is cold or moist.

The LED devices have a very powerful light, do not look directly into the cone of the light, and do not point into the eyes of other people.  
Only use the original supplied charger, as any other charger may damage the electronics in the control unit.

To obtain an optimal lifetime, always handle the devices with care.

Do not attempt to repair the devices yourself. Should the device become damaged or not work properly, contact your ExamVision dealer for further help.

### Care and cleaning

Clean with a soft cloth, and ensure all jacks and connections are free of dust and dirt.

**Water resistance:** Your light and control unit are not designed to be immersed in water. Clean off any splashes immediately to avoid damaging your unit.

**Disinfection:** Use only alcohol-free disinfection products, such as ExamVision Disinfectant Wipes (available from your ExamVision dealer). Do not use alcohol-based products, ultrasonic cleaners, autoclave or other chemical disinfection. A wet wipe could discharge the battery, if the wipe touches both contact points on the battery at the same time.

PowerBand: DC 5V.2A.10W  
Focus™ Xtend: DC 12V.1A.12W  
Essential One: DC 5V.2.4A.12W  
Essential Alpha: DC 5V.1A.5W



 [facebook.com/ExamVisionDK](https://facebook.com/ExamVisionDK)

 [instagram.com/examvision/](https://instagram.com/examvision/)

[www.examvision.com](https://www.examvision.com)